

Horizontal Grill mod GHPI 2/600

Dimensions:

29,52" (w) x 33,48" (h) x 30,24" (p)

Weight: 140 kg

Thermal Flow: 24,2 kw

Type: A

Category: II_{2H3+}

Voltage: 230 V

Electric Power: 0,6 w

Butane gas

Pressure - 28-30 mbar

Consumption - 1,9 kg/h

Propane gas

Pressure - 37 mbar

Consumption - 1,9 kg/h

Natural gas

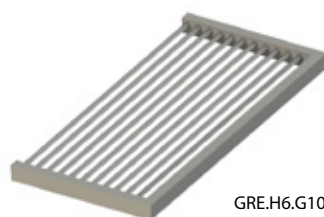
Pressure - 20 mbar

Consumption - 2,6 m³/h

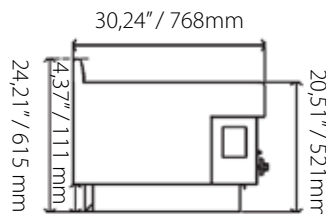
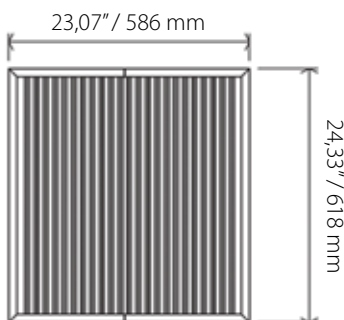
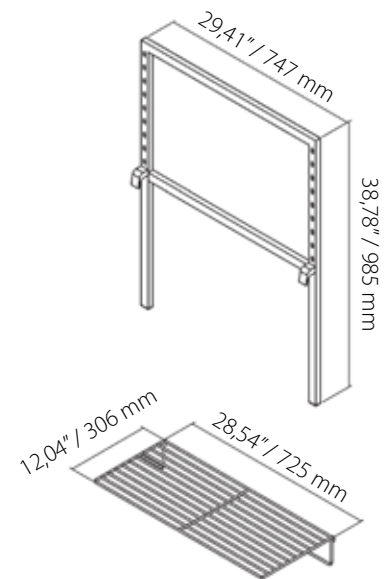
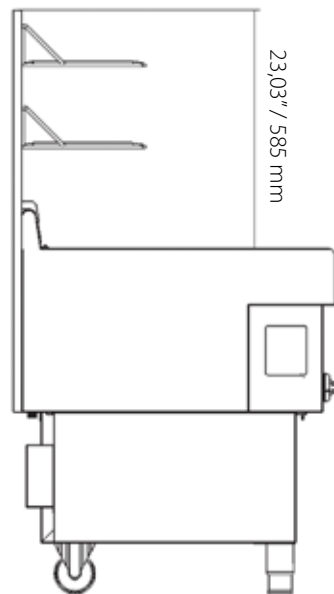
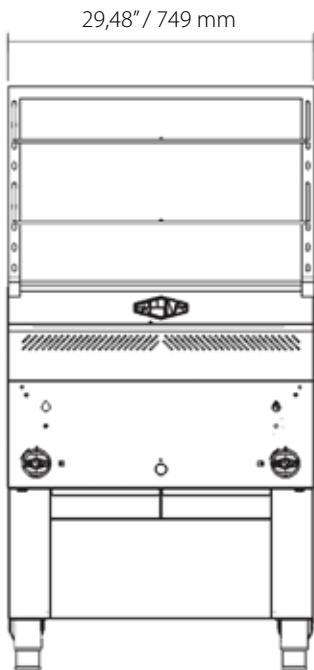
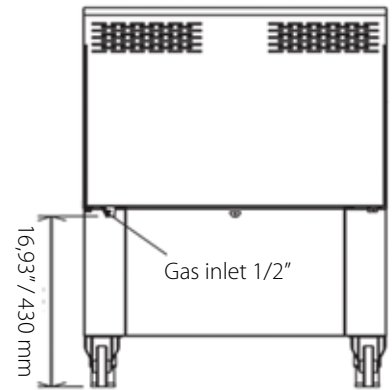
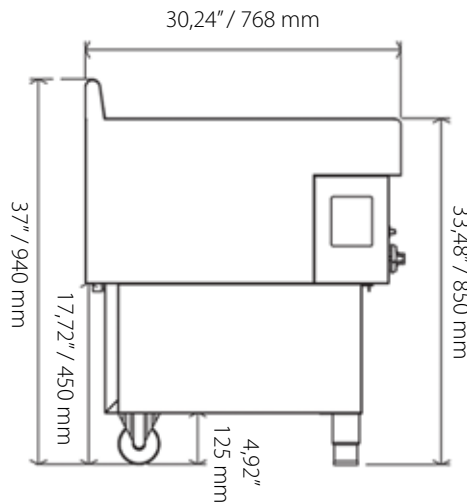
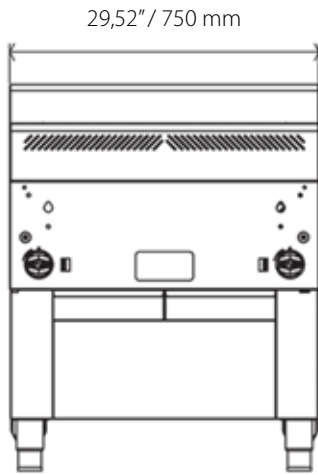
Built in available



scraper



GRE.H6.G10
half grid



to embed:

For supply of the rim to measure it is necessary the measure **A**

The Grill is provided with 4 feet. To adjust the grill to the top, it is necessary measure **B**